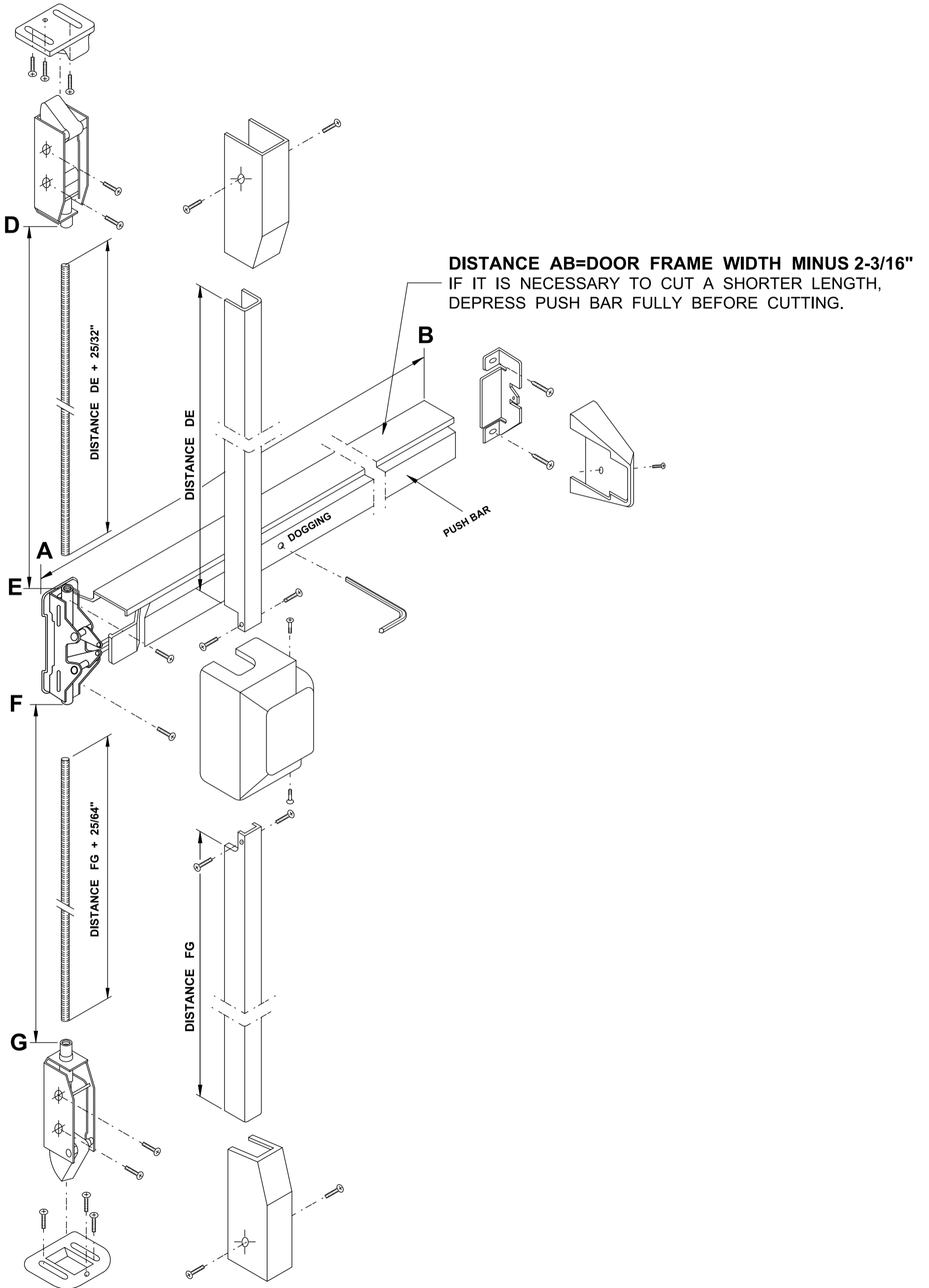


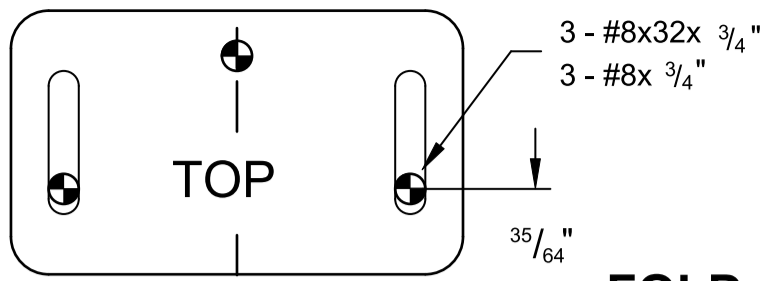
# UL520V SERIES

## SURFACE VERTICAL ROD EXIT DEVICE-REVERSIBLE

### INSTALLATION INSTRUCTION

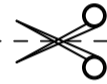
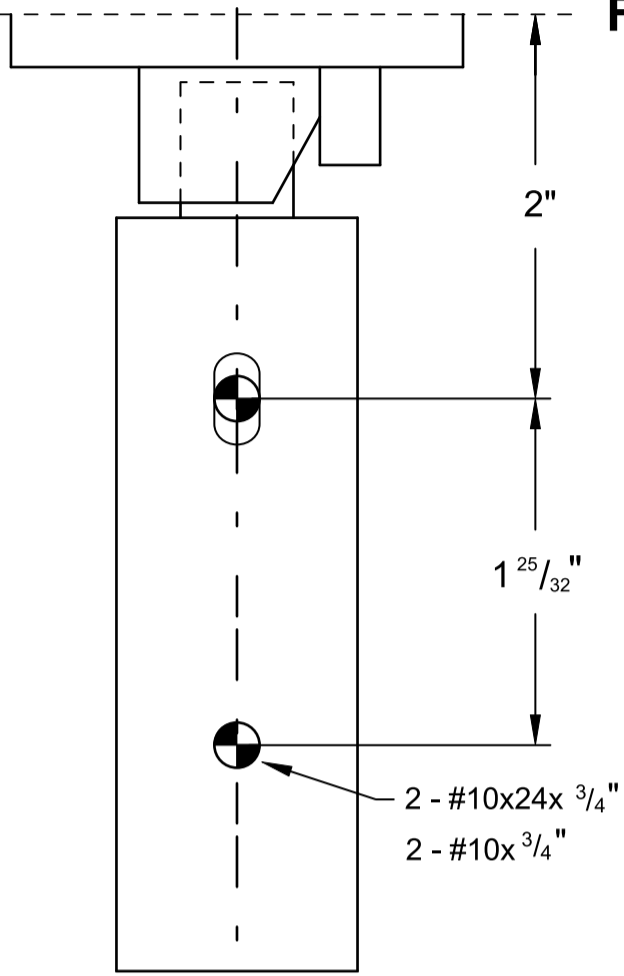
(TEMPLATE ON BACK PAGE)





**FOLD**

**FOLD**



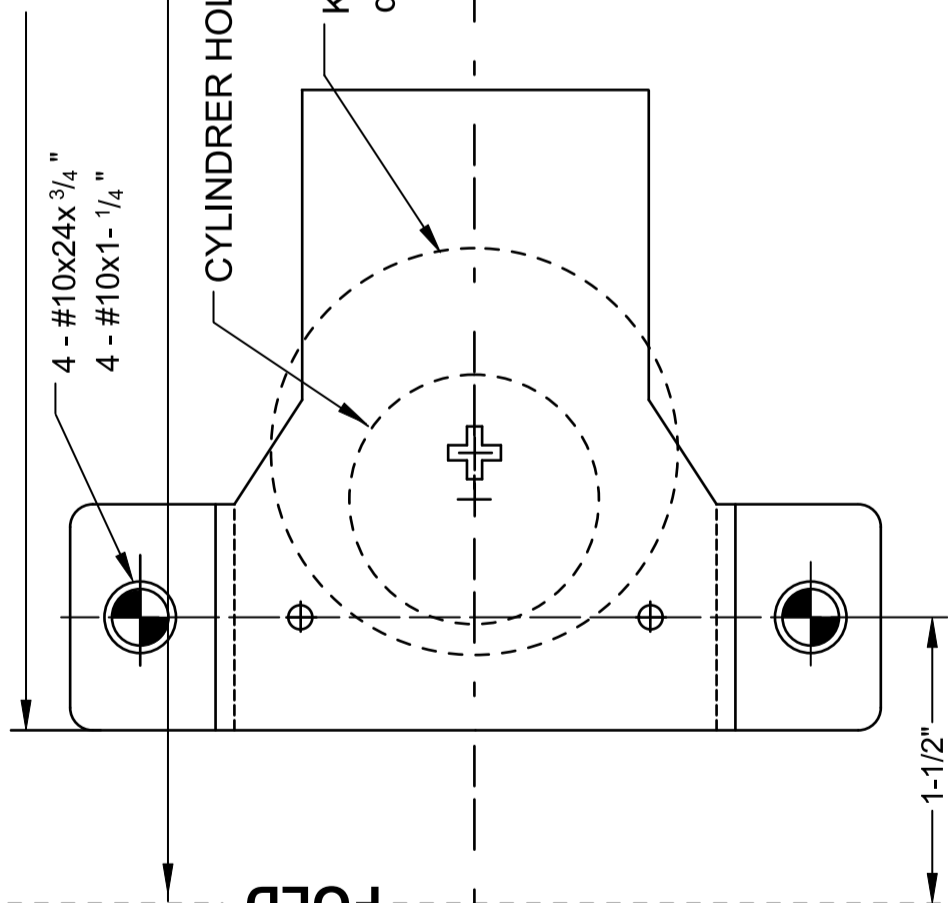
C MINUS 2-3/16"

C

CYLINDER HOLE is drill 1-5/16" dia.

40 5/16"

TO FINISHED FLOOR



**FOLD**

**FOLD**

