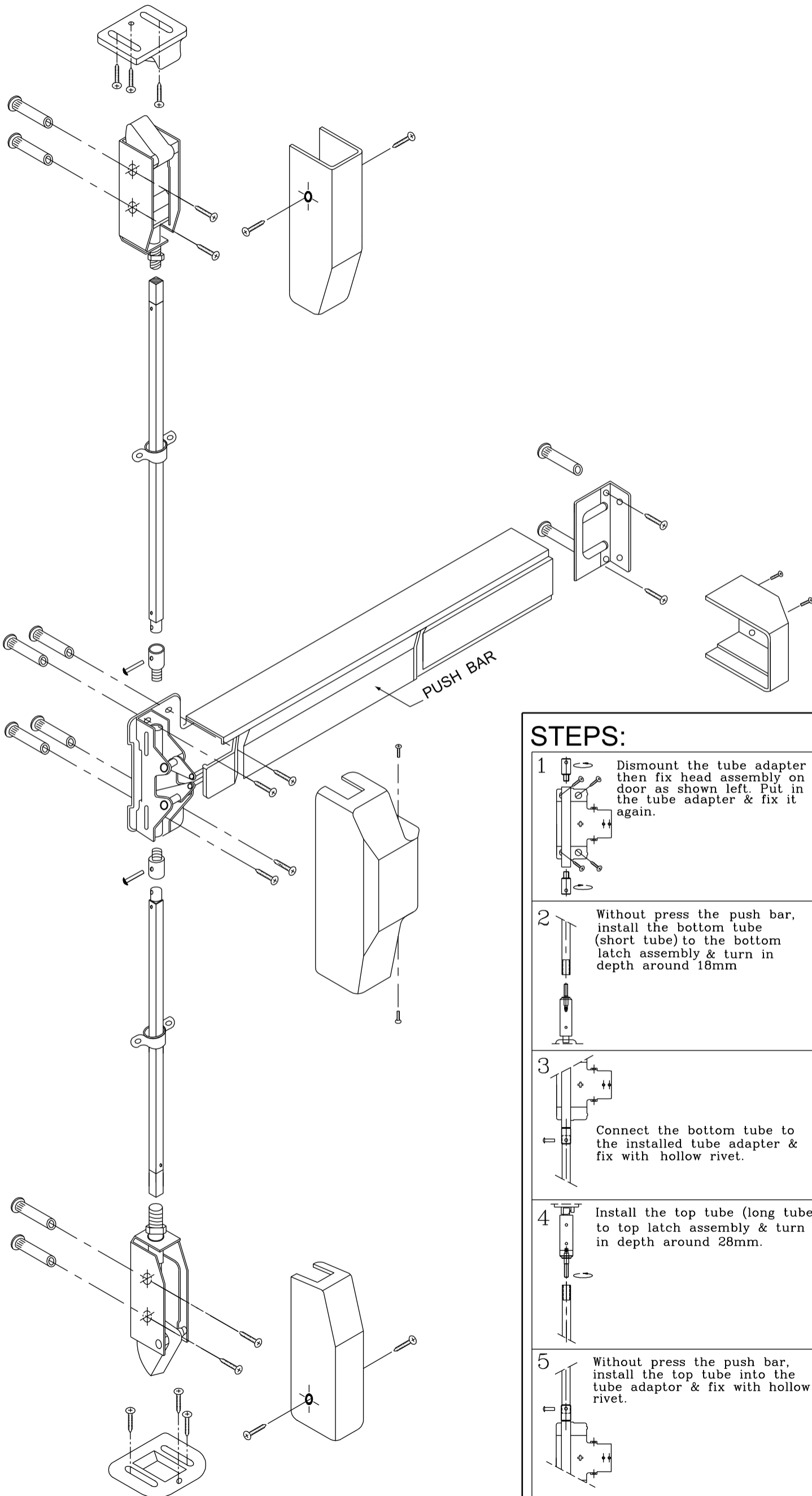


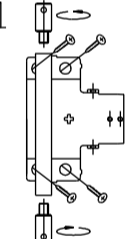
F5000V VERTICAL EXIT DEVICE-REVERSIBLE INSTALLTION INSTRUCTION

LHR door shown, RHR door opposite

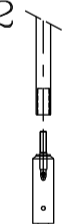


STEPS:

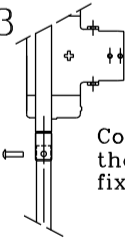
1 Dismount the tube adapter then fix head assembly on door as shown left. Put in the tube adapter & fix it again.



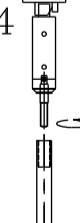
2 Without press the push bar, install the bottom tube (short tube) to the bottom latch assembly & turn in depth around 18mm



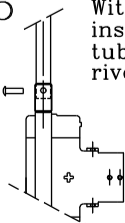
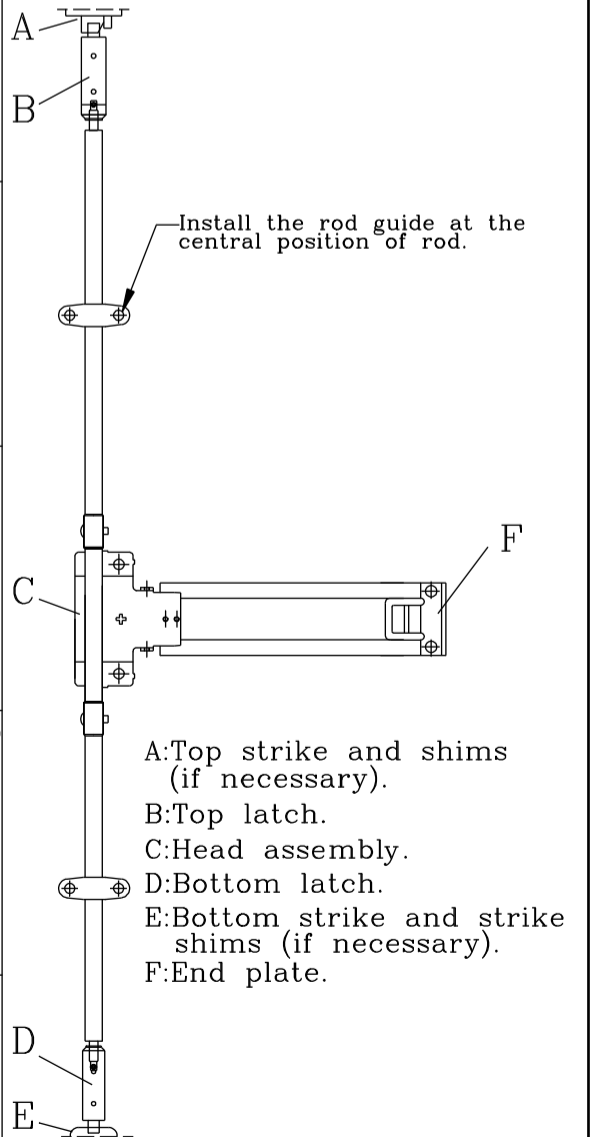
3 Connect the bottom tube to the installed tube adapter & fix with hollow rivet.



4 Install the top tube (long tube) to top latch assembly & turn in depth around 28mm.



5 Without press the push bar, install the top tube into the tube adaptor & fix with hollow rivet.

F5000V TEMPLATE

