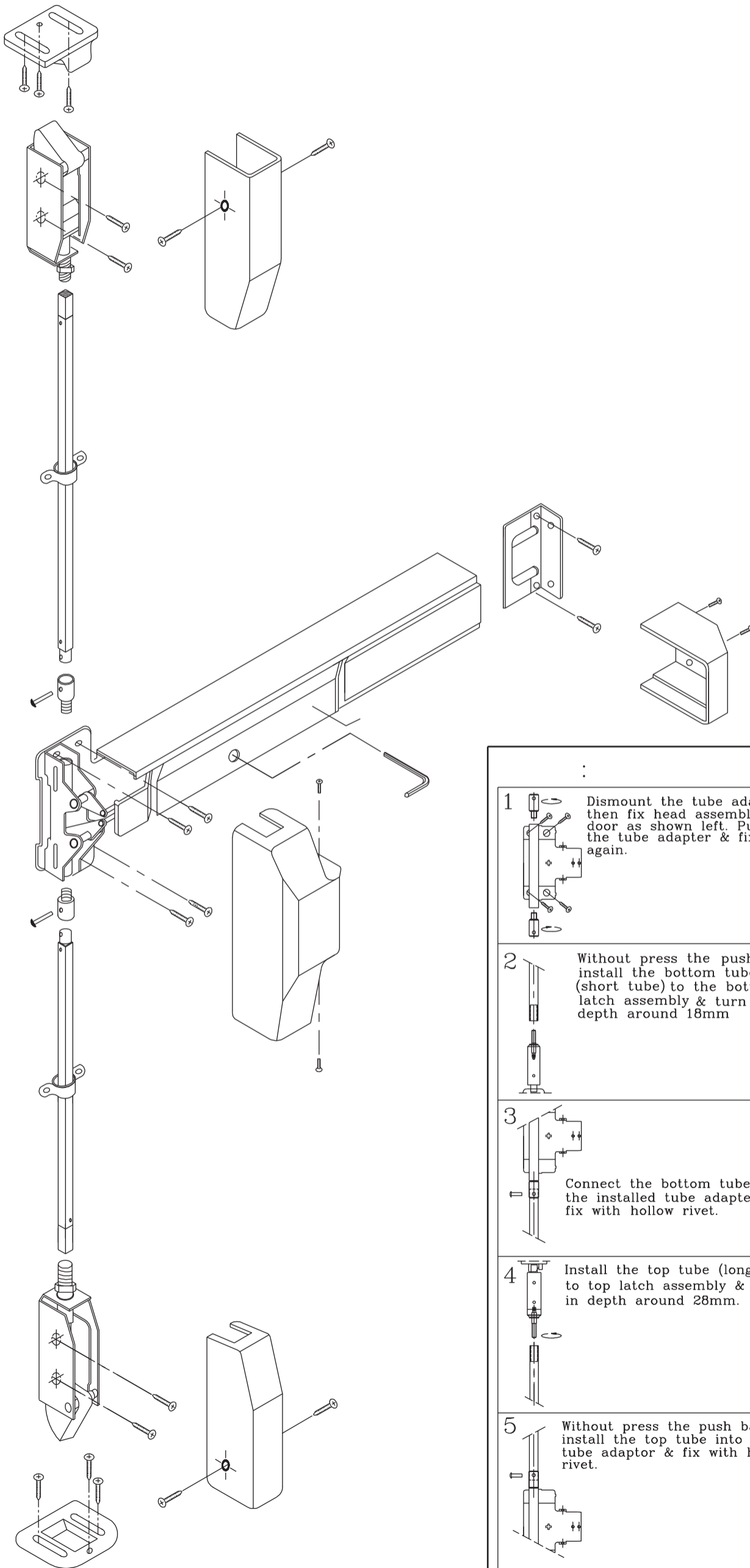


5000V VERTICAL EXIT DEVICE-REVERSIBLE INSTALLTION INSTRUCTION

LHR door shown, RHR door opposite



	<p>1 Dismount the tube adapter then fix head assembly on door as shown left. Put in the tube adapter & fix it again.</p>	<p>A:Top strike and shims (if necessary). B:Top latch. C:Head assembly. D:Bottom latch. E:Bottom strike and strike shims (if necessary). F:End plate.</p>
	<p>2 Without press the push bar, install the bottom tube (short tube) to the bottom latch assembly & turn in depth around 18mm</p>	
	<p>3 Connect the bottom tube to the installed tube adapter & fix with hollow rivet.</p>	
	<p>4 Install the top tube (long tube) to top latch assembly & turn in depth around 28mm.</p>	
	<p>5 Without press the push bar, install the top tube into the tube adaptor & fix with hollow rivet.</p>	

5000V TEMPLATE

