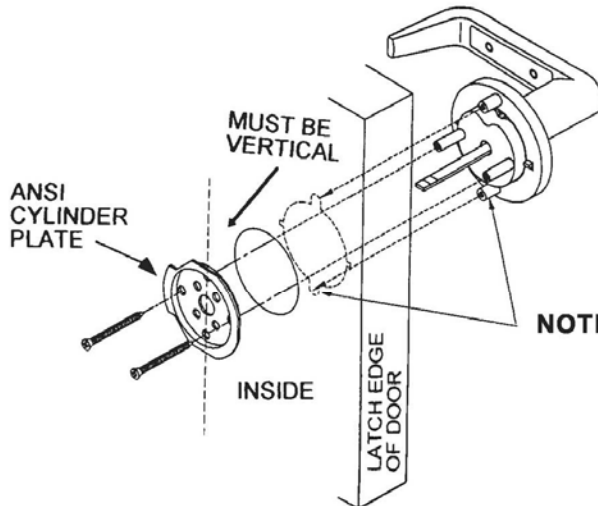


Parker Hardware mfg. corp.

INSTALLATION INSTRUCTIONS

WHEN YOUR DOOR HAS CYLINDRICAL LOCK CUT-OUT

CUT OFF LENGTH OF CYL. CONNECTING BAR SO THAT 3/16" PROJECTS BEYOND INSIDE FACE OF DOOR.



IMPORTANT!
NOTE: ALIGNMENT STUDS **MUST** ENTER INTO (2) 5/16" FIELD DRILLED HOLES ON OUTSIDE OF DOOR (EXISTING SLOTS CAN BE ELONGATED WITH A FILE).

TEMPLATE

