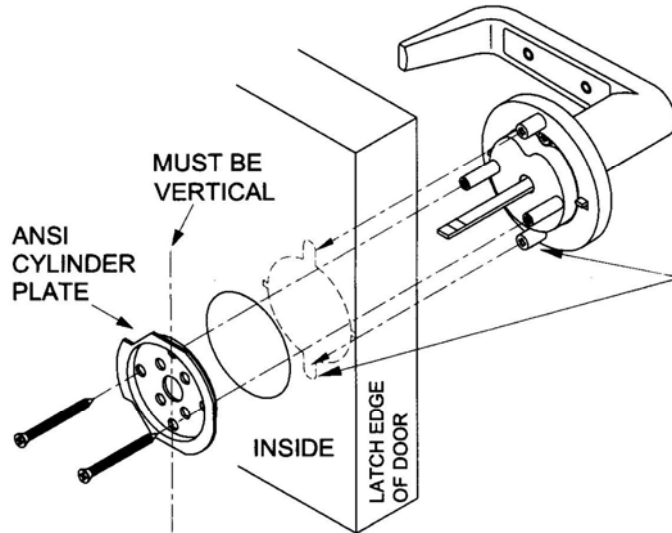


Parker Hardware mfg. corp.

INSTALLATION INSTRUCTIONS

WHEN YOUR DOOR HAS CYLINDRICAL LOCK CUT-OUT

CUT OFF LENGTH OF CYL. CONNECTING BAR SO THAT 3/16" PROJECTS BEYOND INSIDE FACE OF DOOR.



IMPORTANT!

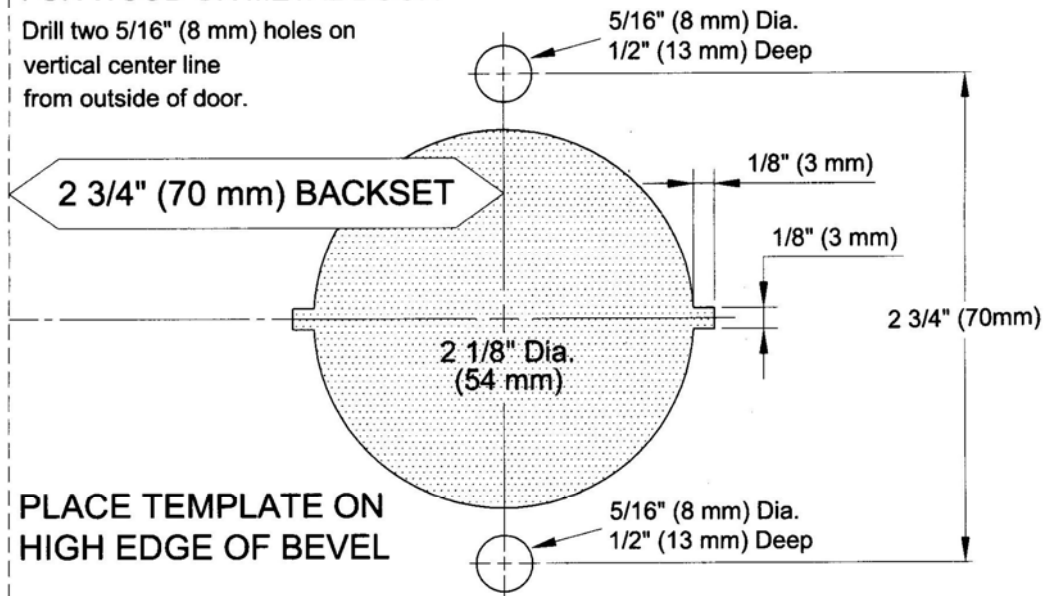
NOTE: ALIGNMENT STUDS **MUST** ENTER INTO (2) 5/16" FIELD DRILLED HOLES ON OUTSIDE OF DOOR (EXISTING SLOTS CAN BE ELONGATED WITH A FILE).

FOLD AND ALIGN TEMPLATE ON EDGE OF DOOR

TEMPLATE

FOR WOOD OR METAL DOOR

Drill two 5/16" (8 mm) holes on vertical center line from outside of door.



PLACE TEMPLATE ON HIGH EDGE OF BEVEL

WD-OD002(185)